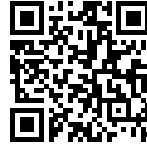


## Sink Quadra EVO

Kitchen Sinks

Code: 1257 850



### DETAILS

Edge/Installation Type	Undermount
Material	AISI 304 stainless steel
Finish	Foster brushed
Texture	Brushed in line
Base	90 cm
Dimensions	780 x 470 mm
Bowl dimension	740x430 mm
Width	78 cm
Built-in hole	<a href="#">View technical data sheet</a>

Number of bowls 1 bowl

---

Mixer holes No standard holes

---

Drainer No

---

Waste fitting 3,5" drain

---

Standard fittings Fixing hooks, drain, overflow and siphon, boxed packing

---

Notes: Cad 3D geometries can be provided on request to make grids in the same material as the worktop.

---

## EQUIPMENT

1 x Black Grid 8100 614  
1 x Black Grid 8100 615

---

## FEATURES

Basket 3,5" waste fitting The drain is equipped with a large 3.5" drain, with the practical basket cap that prevents the discharge of solid parts.

---

Deep bowls This bowls reach an important depth, over 20 cm, thanks to the advanced production technology, that can be offer great capieny and praticity in all the washing operations.

---

High thickness 1mm thick steel. A significant thickness, which guarantees the maximum sturdiness and durability.

---

MOULDED BOTTOM The moulded bottom guarantees perfect water flow and facilitates cleaning operations thanks to the perimeter step with sloping walls.

---

## Perimetral overflow

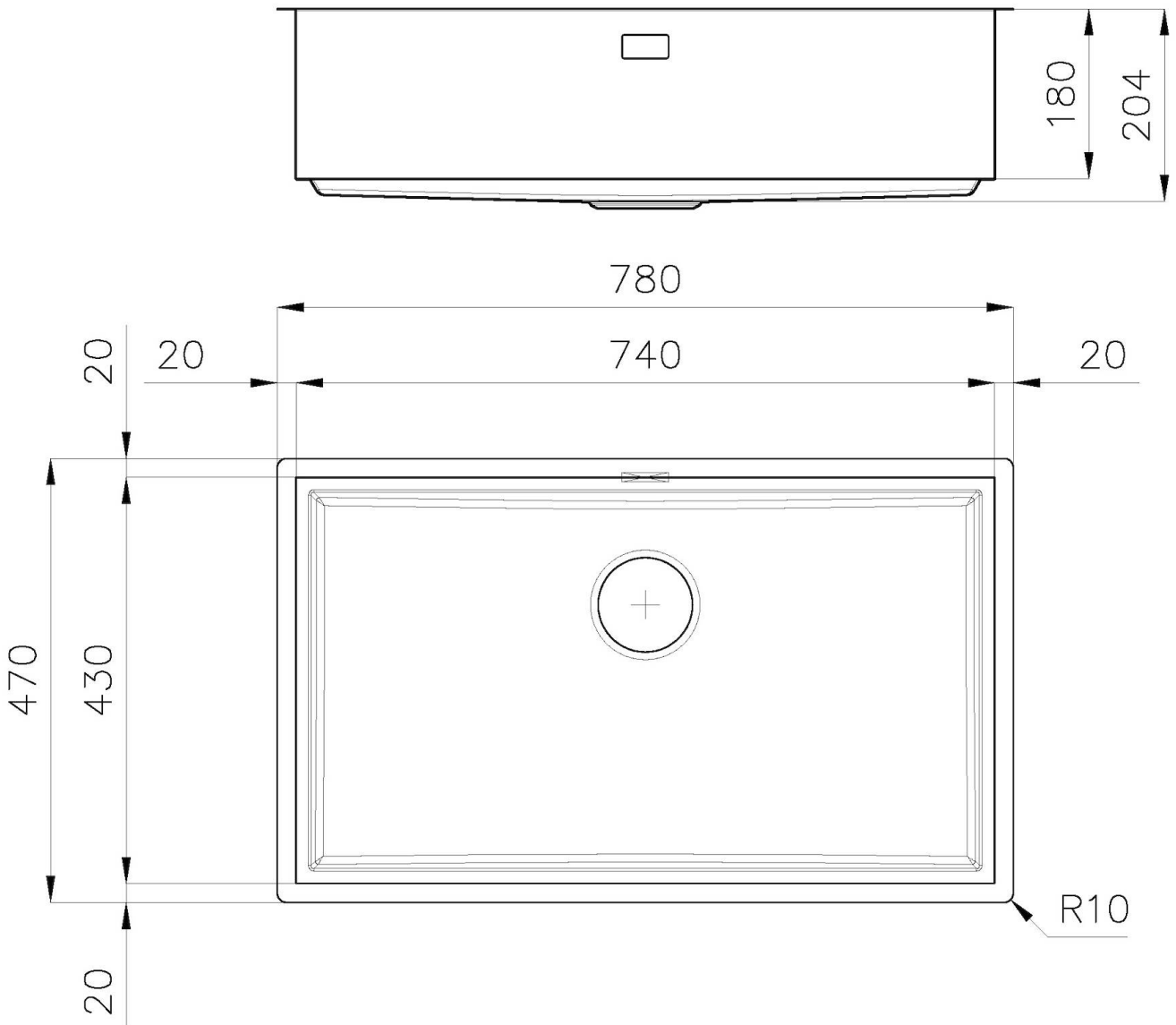
The overflow is always a security on the Foster sinks that prevents the overflow of water in case of oversights. The perimeter drain solution improves aesthetics thanks to its square and essential shape.

## Squared bowls - 0 radius

The square bowls of Foster have perfectly squared vertical edges.

## TECHNICAL DATA

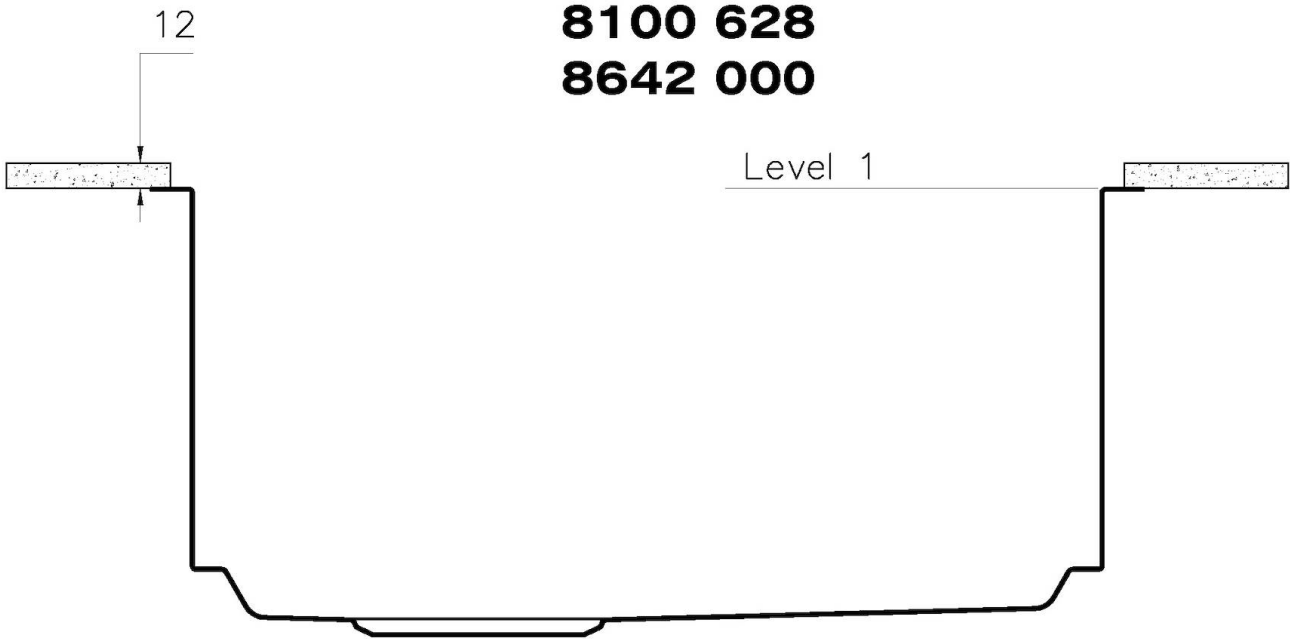
### 1257/85-



## QUADRA EVO Livelli accessori / Level accessories SOTTOTOP / UNDERMOUNT

### LEVEL 1:

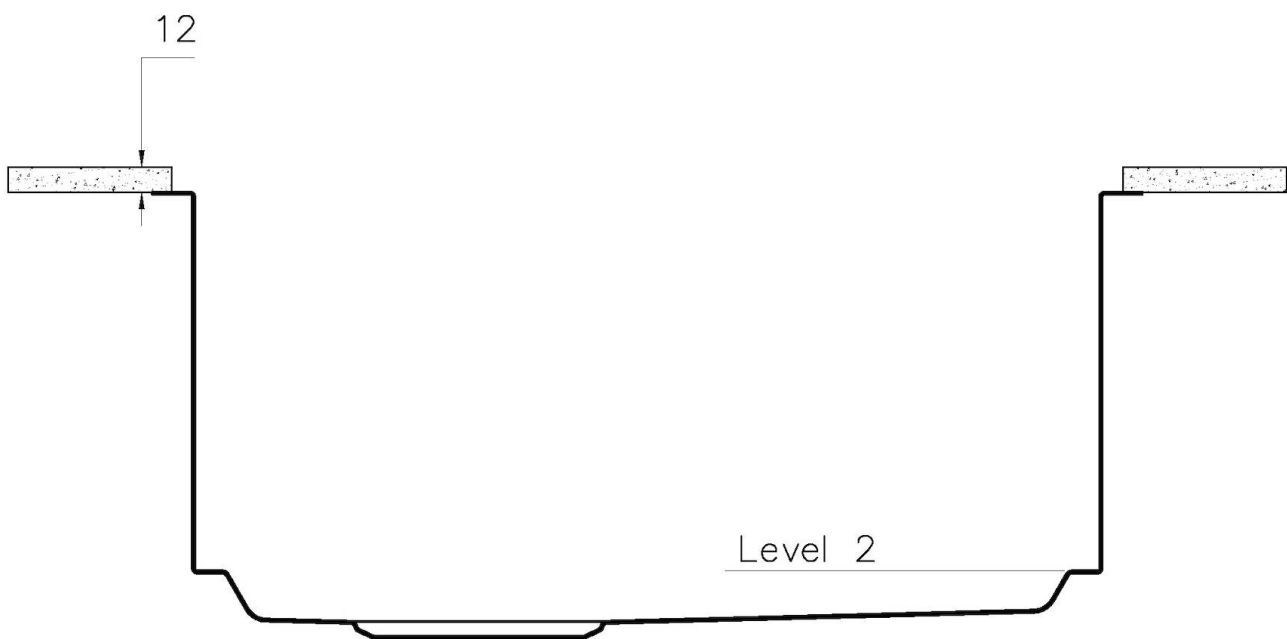
**8100 615**  
**8100 614**  
**8100 037**  
**8100 620**  
**8100 621**  
**8100 622**  
**8100 628**  
**8642 000**



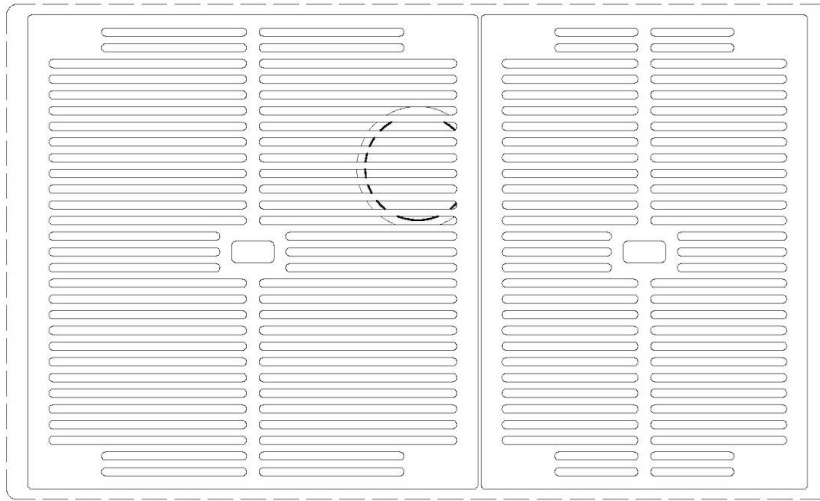
## QUADRA EVO Livelli accessori / Level accessories SOTTOTOP / UNDERMOUNT

**LEVEL 2:**

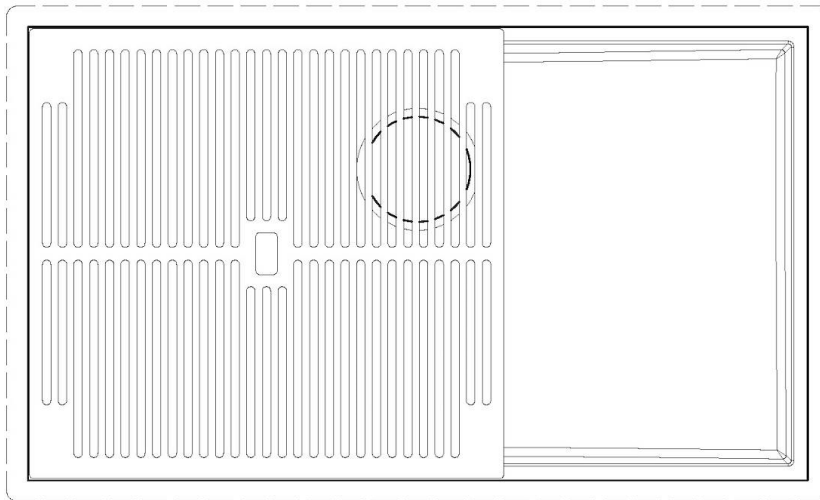
**8100 615**



**1257/85-**



8100 615 + 8100 614  
POSIZIONATE A FILO VASCA / EDGE POSITIONING

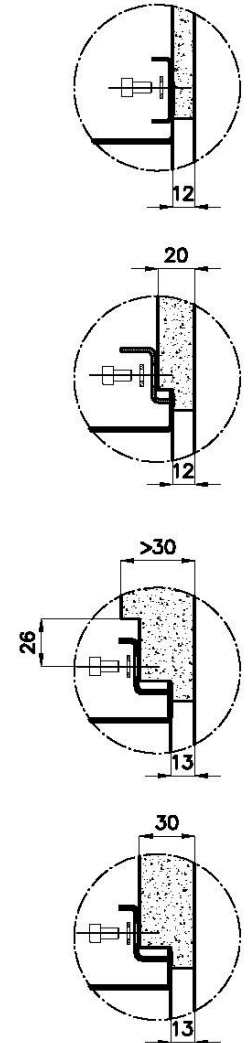
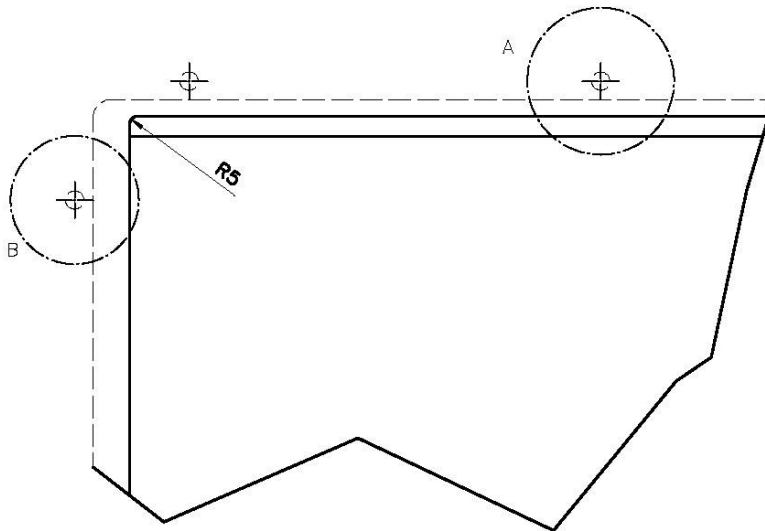


8100 615  
POSIZIONATA SUL FONDO / BOTTOM POSITIONING

## Sottotop/Undermount

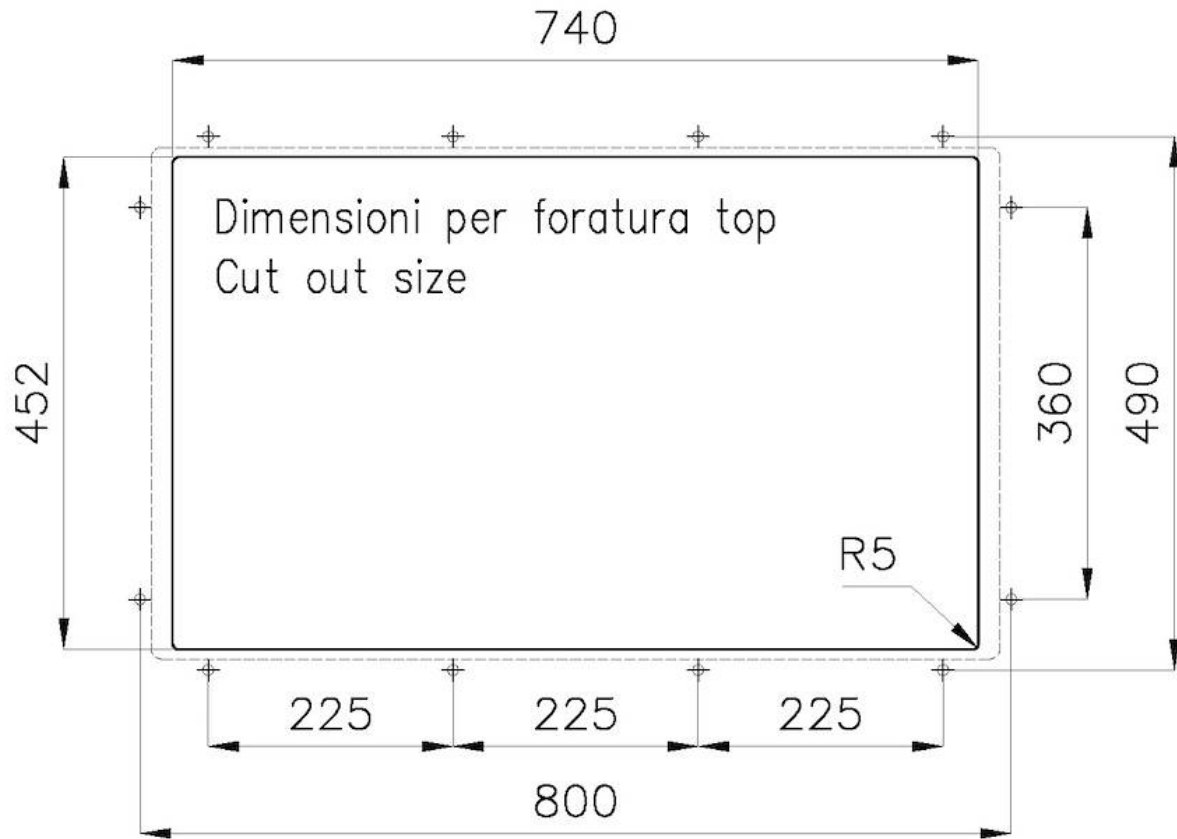


B-B:  
 Dettaglio installazione e sistema di fissaggio  
 Installation detail and fixing system



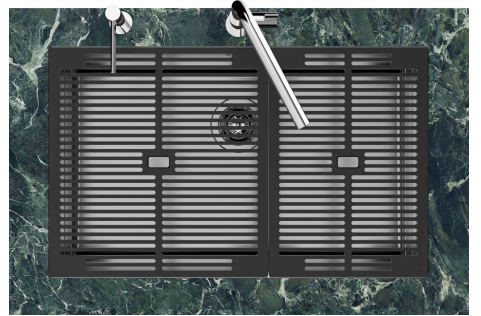
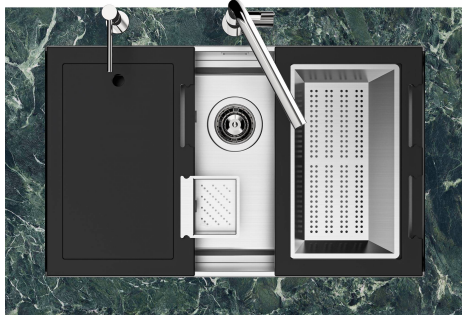
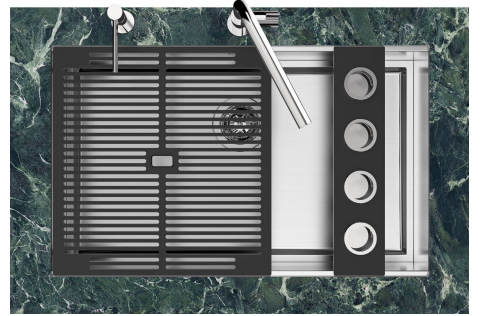
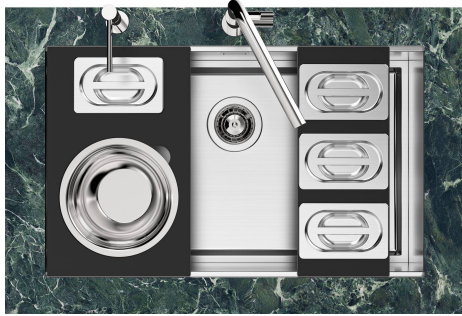
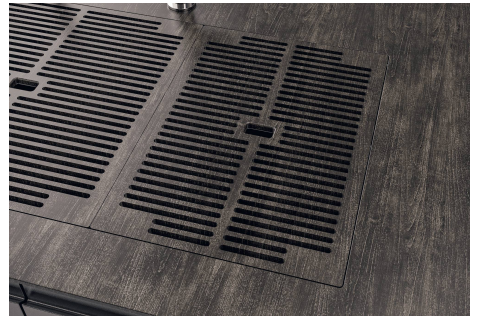
A-A:  
 Dettaglio installazione positive reveal e sistema di fissaggio  
 Installation detail with positive reveal and fixing system

1257/85-





## GALLERY



## EQUIPMENT

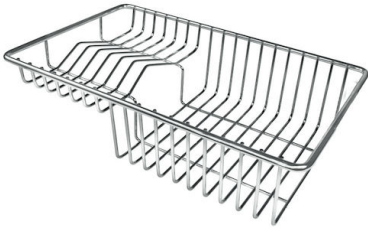


**Black grid**  
8100 615



**Black grid**  
8100 614

## OPTIONAL ACCESSORIES



**Stainless steel plate rack**  
8100 303



**White bowl**  
8153 100



**Stainless steel perforated tray**  
8151 001



**3 Bottles-holder set**  
8100 621



**3 Bowls set**  
8100 622



**4 Spices-holder set**  
8100 620



**Graters kit with ring-holder and food collection tray**  
8159 101



**Kit Black**  
8100 037



**Kit multi-bowl**  
8100 628



**Knives-holder**  
8100 030



**Stainless steel perforated tray**  
8151 000



**Stainless steel perforated tray PVD Copper**  
8151 008

\* only in combination with the accessory  
8100 621



**Stainless steel perforated tray PVD  
Gold**  
8151 009



**Stainless steel perforated tray PVD  
Gun Metal**  
8151 006



**Walnut-wood chopping board**  
8642 000

## OPTIONAL AUTOMATIC WASTE FITTINGS



**Automatic waste fitting PM**  
8407 113



**Space Light automatic waste fitting  
PL**  
8407 117



**Space Push automatic waste fitting  
PP**  
8407 116



**Space automatic waste fitting PA**  
8407 108